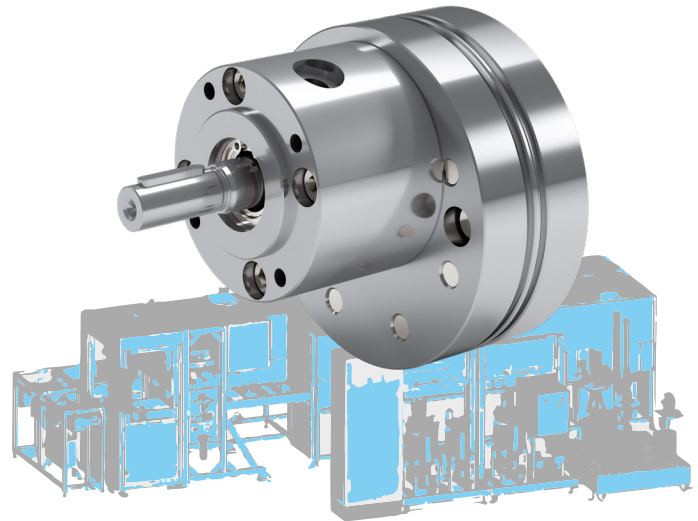


High precision gear metering pump ADP

| Expansion of our pump portfolio to include the ADP gear metering pump

Our pump portfolio is being expanded to include the high precision ADP gear metering pump. The ADP is an external gear metering pump. With extremely small clearances and an optimal gear geometry the ADP has a very high volumetric efficiency also at difficult combinations e.g. high pressure together with low turning speed and low viscosities.

The main parts of the pump are made of stainless steel. Because of that a wide range of fluids can be pumped. The high precision pump is primarily used for metering polyol and isocyanate as well as resin and hardener in two- or multi-component plants.



Characteristics	
Displacement	0.1... 20.0 cm ³ /rev
Media temperature	-20 ... 200 °C / -4 ... 392 °F
Operating pressure	... 200 bar / ... 2 901 psi
Speed	10 ... 200 1/min
Viscosity	from 1.0 cSt

Shaft seals	
– Single radial lip-type seal	
– Double radial lip-type seal	
– Triple radial lip-type seal	
– Gland packing	
– Magnetic coupling	

Option	
– With drive	

Construction

