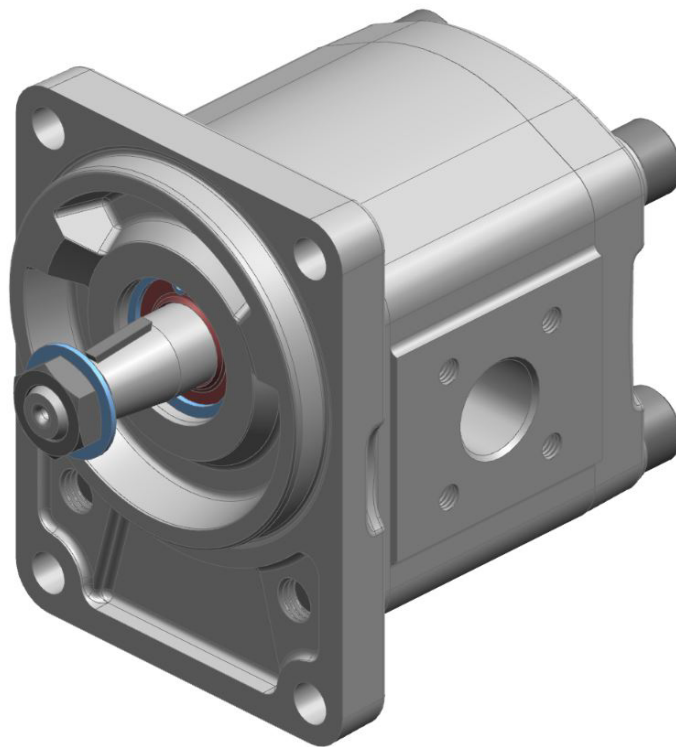


KRACHT

D.0025490002

Operating instructions (Translation)



High pressure gear pump KP 1
English

Table of content

1 General	4
1.1 About the documentation	4
1.2 Manufacturer address	4
1.3 Other applicable documents	4
1.4 Symbols.....	5
2 Safety.....	6
2.1 Intended use.....	6
2.2 Personal qualification	6
2.3 Basic safety instructions	7
2.4 Fundamental hazards	8
3 Device description.....	10
3.1 Functional principle.....	10
3.2 Variants	11
3.3 Type key.....	12
3.4 Direction of rotation and discharge	14
3.5 Types of seals	14
3.6 Special numbers	15
3.7 Shaft ends	15
4 Technical data.....	17
4.1 General.....	17
4.2 Nominal sizes.....	18
4.3 Permissible radial force.....	19
4.4 Allowable pressures	20
4.4.1 Operating pressure at suction side.....	20
4.4.2 Operating pressure at pressure side.....	20
4.5 Permissible temperature range	21
4.6 Material data.....	21
4.7 Weight.....	22
4.8 Dimensions.....	23
5 Transport and storage	24
5.1 General.....	24
5.2 Transport.....	24
5.3 Storage.....	24
5.4 Storage conditions	25
6 Installation	26
6.1 Safety instructions for installation.....	26
6.2 Noise reduction	27

6.3	Mechanical installation	28
6.3.1	Preparation.....	28
6.3.2	Gear pump with free shaft end	28
6.4	Connection lines.....	30
6.4.1	General.....	30
6.4.2	Suction line.....	30
6.4.3	Pressure pipe.....	32
6.4.4	Connection line installation.....	32
6.5	Change of the direction of rotation.....	32
7	Commissioning.....	33
7.1	Safety instructions for start-up.....	33
7.2	Preparation.....	33
7.3	Additional commissioning.....	34
8	Removal.....	35
8.1	Safety instructions for disassembly.....	35
8.2	Dismantling	36
9	Maintenance	37
9.1	Safety instructions for maintenance.....	37
9.2	Maintenance work.....	38
9.3	Maintenance instructions.....	38
9.4	Maintenance table.....	39
9.4.1	Maintenance table.....	39
9.4.2	Check the operating pressure.....	40
9.4.3	Check the media temperature.....	40
9.4.4	Check the device temperature	40
9.4.5	Check the function of the add-on valve	40
9.4.6	Check the equipotential bonding	40
9.4.7	Check the condition of the operating fluid.....	40
9.4.8	Noise test unusual noises.....	40
9.4.9	Cleaning	40
9.4.10	Visual inspection of leakage.....	40
9.4.11	Visual check of the gearbox condition.....	41
9.4.12	Visual check of the condition of housing parts	41
9.4.13	Visual check of the condition of the plain bearings	41
9.4.14	Visual check of the condition shaft seal	41
9.4.15	Visual check of the condition of the outboard bearing	41
9.4.16	Replacing the outboard bearing	41
9.4.17	Replacing the plain bearings.....	41
9.4.18	Replacing the shaft seal	42
9.4.19	Replacing other seals.....	42
10	Repair	43
10.1	Safety instructions for repairs	43
10.2	General.....	44
10.3	Fault table	45

1 General

1.1 About the documentation

These operating instructions describe the installation, operation and maintenance of the following product:

High pressure gear pump KP 1

These operating instructions are an integral part of the product and must be kept in the immediate vicinity of the

product and accessible to the personnel at all time.

Different versions of the product are produced. Which version is concerned is stated on the device's type plate.

If you have any questions about this operating manual, please contact the manufacturer.

1.2 Manufacturer address

KRACHT GmbH
Gewerbestraße 20
D-58791 Werdohl
Tel: +49 2392 935-0
Fax: +49 2392 935-209
Email: info@kracht.eu
Web: www.kracht.eu

1.3 Other applicable documents

In addition to these instructions, also comply with the relevant instructions of plants or plant parts available or planned on site.

1.4 Symbols



DANGER

Identification of an immediate hazard, which can lead to death or severe bodily injury if not avoided.



WARNING

Identification of a potential medium risk hazard, which can lead to death or severe bodily injury if not avoided.



CAUTION

Identification of a possible low-risk hazard that can result in minor or moderate physical injury if not avoided.

ATTENTION

Identification of notes to prevent property damage.



NOTICE

Identification of basic safety instructions. Non-compliance can lead to hazards for people and the product



TIP

Identification of special user tips and other particularly useful or important information

2 Safety

2.1 Intended use

1. The product has been designed for operation with fluids.
Dry operation is not permitted.
2. The product may only be operated when completely filled.
3. The fluid must be compatible with the materials used in the product. Chemical expertise is required for that. Be careful with ethylene oxide or other catalytically or exothermically reacting or self-decomposing substances. Please consult the manufacturer in cases of doubt.
4. The product may only be used in normal industrial atmospheres. If there are any aggressive substances in the air, always consult the manufacturer.
5. The product may only be operated in compliance with these operating instructions and the applicable documents.
Deviating operating conditions require the express approval of the manufacturer.
6. Use of the product for purposes other than those for which it is intended invalidates any warranty.

2.2 Personal qualification

The personnel charged with the assembly, operation and maintenance of the product must have the necessary qualifications.

This can be achieved through training or appropriate instruction.

The personnel must be familiar with the contents of these operating instructions.



NOTICE

Read the operating instructions in full before using the product.

2.3 Basic safety instructions



NOTICE

Basic safety instructions

Non-compliance can lead to hazards for people and the unit.

- a) Follow existing regulations for accident prevention and safety at work as well as the internal regulations of the operating company.
- b) Ensure the greatest possible cleanliness.
- c) Wear suitable personal protective equipment.
- d) Do not remove type plates or other information or make them illegible or unrecognisable.
- e) Do not make any technical modifications.
- f) Comply with maintenance intervals.
- g) Only use spare parts approved by the manufacturer.

2.4 Fundamental hazards



⚠ DANGER

Hazardous fluids

Danger to life when handling hazardous fluids

- a) Comply with the safety data sheets and regulations on handling the hazardous fluids.
- b) Collect and dispose of hazardous fluids so that no hazard is created for persons or the environment.



⚠ DANGER

Hazardous fluids

Danger to life when handling hazardous fluids.

- a) Defective components and connection lines must be replaced or fixed without delay.
- b) Use only components and connection lines approved for the expected pressure range.



⚠ DANGER

Rotating parts

Risk to life due to entanglement or winding of parts of the body, hair or clothing items.

- a) Before carrying out any work, disconnect any drives and actuators from the power supply or depressurise them.
- b) Safely prevent restarting during the work.



⚠ DANGER

Rotating parts

Risk to life due to entanglement or winding of parts of the body, hair or clothing items.

- a) Take measures to prevent accidental touching of rotating parts.



⚠ WARNING

Rotating parts

Risk of injury caused by ejected parts

- a) Enclose rotating parts so that in the event of fracture or malfunction, there is no risk caused by ejected parts.

**⚠ WARNING****Failure of pressure bearing parts due to overload**

Risk of injury from flying parts.

Risk of injury due to splashing fluids.

- a) Before carrying out any work, depressurise the product and all connection pipes.
- b) Securely prevent the pressure from being restored during work.

**⚠ WARNING****Failure of pressure bearing parts due to overload**

Risk of injury from flying parts.

Risk of injury due to splashing fluids.

- a) Use only connections and lines approved for the expected pressure range.
- b) Securely prevent the permissible pressures from being exceeded, e.g. by using pressure relief valves or bursting discs.
- c) Pipelines must be designed in such a way that no tension e.g. caused by changes in length due to fluctuations in temperature can be transferred to the product.

**⚠ WARNING****Failure of pressure bearing parts due to overload**

Risk of injury caused by flying parts.

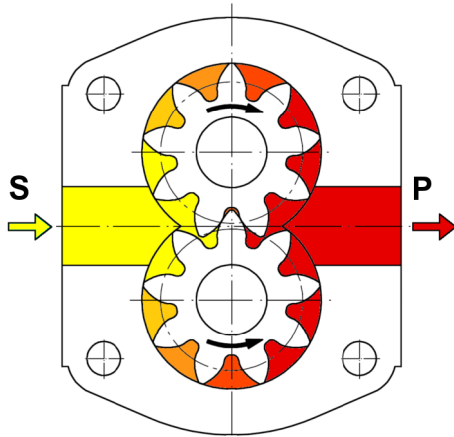
Risk of injury caused by splashing fluids.

- a) Do not operate the product with shut-off devices closed.
- b) Do not operate the production in the wrong rotational direction.

3 Device description

3.1 Functional principle

The pumps of this series are external gear pumps, which operate according to the displacement principle.



S Suction connection
P Pressure connection

During rotation, two interlocking gears cause a volume increase by opening the tooth spaces on the suction side (S), so that the medium can flow in and at the same time, on the discharge side (pressure side, P), a corresponding volume is displaced by the meshing of the teeth in the filled tooth gaps. Fluid transport takes place through entrainment in the tooth spaces along the wall of the wheel chamber.

With each gear rotation, the so-called geometric displacement volume V_g is displaced.

A value that is named the rated volume V_{gn} in technical documents to specify the pump size.

The displacement process described takes place initially without a noticeable pressure build-up. Only after external loads are applied, e.g. by head, flow resistances, pipe elements, etc., does the required working pressure set in to overcome these resistances.

The pressure applied to the shaft seal equals the pressure at the suction connection of the product. The permissible pressure is determined by the type of seal.

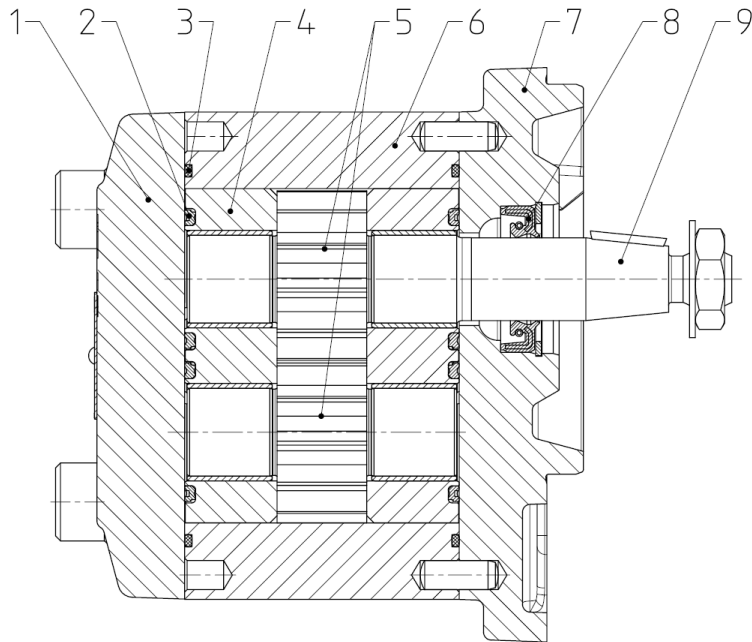
According to its design, this external gear pumps are classified as so-called gland-type bearing pumps.

All the essential functional elements, gearing and gland bearings are located in an aluminium housing made of high-strength extrusion alloy closed on each side by the end cover or flange cover (cast iron). The gearing made of case-hardened steel with surface hardening consists of the driving shaft pinion and the driven shaft pinion.

The gland bearings located on both sides of the gearing support the shaft journals and sealing elements in heavy-duty multi-component plain bearings which are used for pressure field sealing to compensate axial clearance.

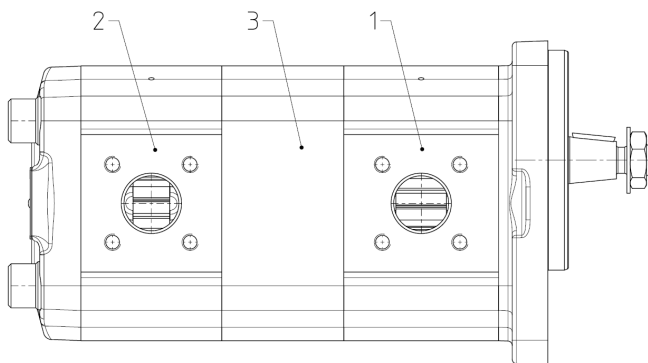
3.2 Variants

Gear pump



- | | | | |
|---|--------------------|---|---|
| 1 | End cover | 2 | Seal |
| 3 | O-ring | 4 | Bearing bush with multi layer friction bearings |
| 5 | Gears | 6 | Housing |
| 7 | Flange cover | 8 | Shaft seal |
| 9 | End of drive shaft | | |

Multi-stage design



- | | | | |
|---|--------------|---|--------------|
| 1 | First stage | 2 | Second stage |
| 3 | Pipe adaptor | | |

3.3 Type key

Ordering example																				
KP	1/8	3	N	1	0	G	2	K	D	2	0	1	A	A	E	0	B	D	W	/...
1.	2.	3.	4.	5.	6.	7.	8.	9.	10.	11.	12.	13.	14.	15.	16.	17.	18.	19.	20.	21.

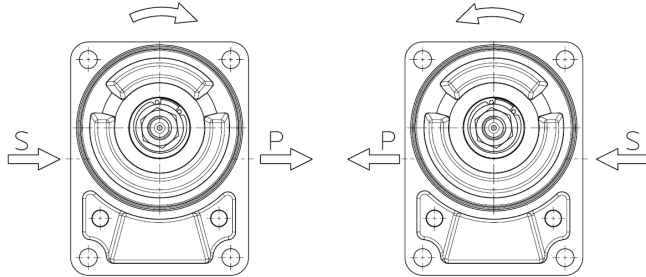
Explanation of type key	
1. Product name	
2. Nominal	
V _{gn}	Size : 2;3; 4; 5.5; 6.3; 8; 11; 12.5; 14; 16; 19; 22; 25
3. Housing material	
3	Aluminium (Al)
5	EN-GJS-600
4. Seal material	
F	FKM
N	NBR
5. Direction of rotation	
1	Clockwise
2	Counterclockwise
6. Outbord bearing	
0	Without
S	Heavy-duty version
L	light version
7. Flange type	
A	SAE A 2-hole flange LA= 106.4 Z-Ø= 82.55
L	Square 2-hole flange with O-ring (Without shaft seal) LA= 60/60 Z-Ø= 52
F	Square 2-hole flange LA= 60/60 Z-Ø= 50
M	Square 2-hole flange LA= 60/60 Z-Ø= 50
G	Rectangular 4-hole flange LA= 72/100 Z-Ø= 80
Q	Square 2-hole flange with O-ring LA= 60/60 Z-Ø= 52
K	Rectangular 4-hole flange LA= 71.4/96.1 Z-Ø= 36.47
LA= Hole distance; Z-Ø = Centering diameter	
8. Flange cover material	
2	EN-GJS-400-15
9. Shaft end	
A	Cone 1:5 Ø20 - F-shaft in conjunction with attachment bearing
B	Cone 1:5 Ø20 - X-shaft in conjunction with attachment bearing
C	Cone 1:5 Ø17 - F-shaft in conjunction with attachment bearing
D	Cone 1:5 Ø17 - X-shaft in conjunction with attachment bearing
F	Flat pin
K	Cone 1:5 Ø17
S	Gear shaft profile SAE A
M	Cone 1:8 Ø17
X	Gear shaft profile B17x14 DIN 5482
Z	Cylindrical shaft end
10. Type of end cover	
D	Cover
Z	Intermediate piece

Explanation of type key	
11. Cover material	
2	EN-GJS-400-15
12. 2nd shaft end	
0	Without
1	yes
13. Axial clearance compensation	
1	yes
14. Suction side connection	
	Nominal
A	Ø15/LK35
A	Ø15/LK40
A	Ø20/LK40
B	G 3/4
C	G 1/2
D	M22x1.5
J	7/8-14 UNF
J	1 1/16-12 UN
Q	Ø13.5/LK30.2
Q	Ø20/LK39.7
0	Without
15. Pressure side connection	
A	Ø15/LK35
C	G 1/2
J	7/8-14 UNF
Q	Ø13.5/LK30.2
R	M18x1.5
16. Gear material	
E	16MnCrS5 - 1.7139
17. Gear coating	
0	Without
18. Type of bearing	
B	Bearing bush
19. Material bearing	
D	Multi layer friction bearings (contains lead)
20. Seal type	
W	Rotary shaft seal
21. Special number	
Special numbers [▶ 15]	

3.4 Direction of rotation and discharge

The direction of rotation is indicated by the curved arrow, when looking towards the end of the drive shaft. The pump connections are below the drive shaft.

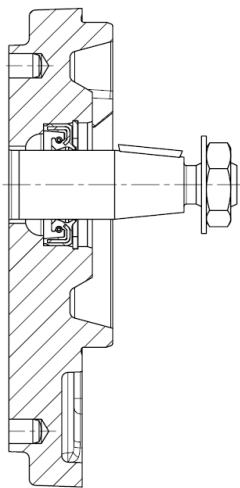
The flow direction is indicated by the straight arrow.



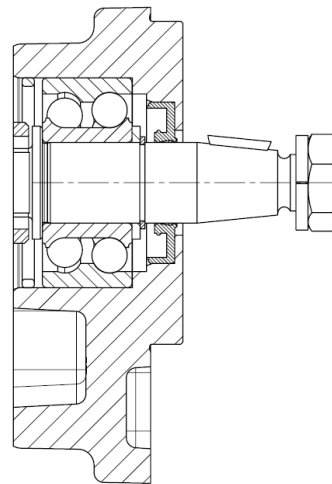
S = Suction connection

P = Pressure connection

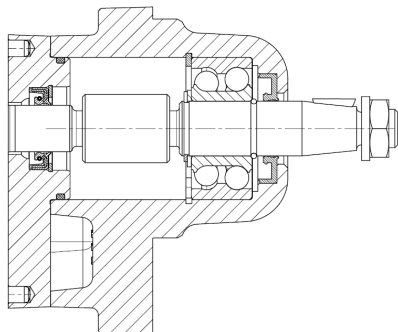
3.5 Types of seals



Rotary shaft seal



Rotary shaft seal with roller bearings
light version

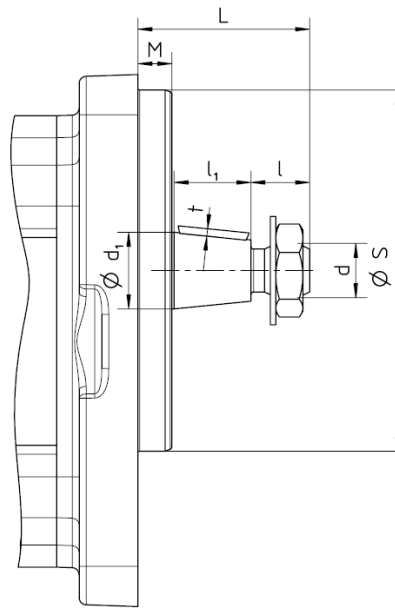


Rotary shaft seal with roller bearings
Heavy-duty version

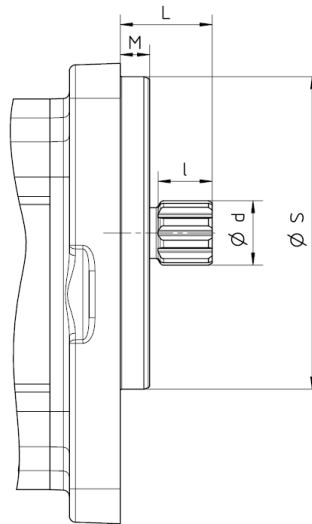
3.6 Special numbers

Special number	Description
250	Flange cover with o-ring notch in the centring
271	Multi-stage version
336	Strengthened shaft end
340	Special short construction type with profile pin connection

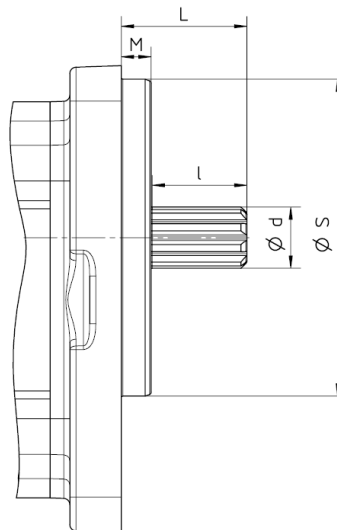
3.7 Shaft ends



Flange cover	Shaft end	L	S	M	Cone	d	d ₁	l	l ₁	t
G	A; B	47	80	8	1:5	M14x1.5	20	20	15.5	2
G	C; D	40.5	80	8	1:5	M12x1.5	17	17	13	1.5
F	C; D	40.5	50	7.5	1:5	M12x1.5	17	17	13	1.5
M	A; B	47	50	7.5	1:5	M14x1.5	20	20	15.5	2
M	C; D	40.5	50	7.5	1:5	M12x1.5	17	17	13	1.5



Flange cover	Shaft end	L	S	M	Profile	DIN	Diametral pitch (DP)	Number of teeth	d _{h11}	I
A	S	31.7	82.55	6.35	SAE A	-	16/32	9	15.46	16
G	X	23.5	80	7.5	B17x14	5482	-		16.5	14
A	X		82.55	6.35						
K	X	22	36.47	4.8						
F	X	26	50	7.2						
M	X									
Q	X									
L	X	-	52							



Flange cover	Shaft end	L	S	M	Profile	Diametral pitch (DP)	Number of teeth	d _{h11}	I
A	S	31.7	82.55	6.35	SAE A	16/32	9	15.46	23.9

4 Technical data

4.1 General

General information		
Mounting position		Any
External loads on shaft end		F_{axial} Axial forces are not permissible
		F_{radial} Axial and radial forces are only permissible in combination with an outboard bearing
Speed		n Nominal sizes [▶ 18]
Operating pressure		p_e Allowable pressures [▶ 20]
		p_b
Viscosity	Permitted in continuous operation	v_{min} 10 mm ² /s
		v_{max} 600 mm ² /s
	Recommended for continuous operation	v_{min} 30 mm ² /s
		v_{max} 45 mm ² /s
Fluid temperature		ϑ_m Permissible temperature range [▶ 21]
		ϑ_u
Filtering		β β ₂₅ ≥ 75 für ... 300 bar
		β ₄₀ ≥ 75 für ... 100 bar
Permissible media		Mineral oil according to DIN 51524/25 Motor oil according to DIN 51511 Bio-oils of the "HEES" group can be used up to 70 °C and at maximum pressure reduced by about 20 %



TIP

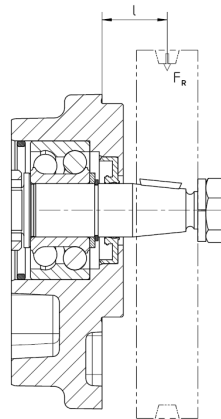
A reduced shaft seal life is possible in the vertical installation position (shaft end at the top).

4.2 Nominal sizes

Nom- inal V_{gn}	Geom. dis- placement V_g [cm ³ /U]	Speed n_{max} [rpm]	Minimum speeds						Mass iner- tia $\times 10^{-6}$ J [kg m ²]
			at p= ... bar						
			100	120	150	180	200	250	
2	2	4000	600	700	900	1200	1300	1400	19.7
3	3								23.3
4	4								28.4
5.5	5.45	3500	500	700	900	1000	1200	1400	35.7
6.3	6.28								39.9
8	7.9								51.1
11	10.9	3000	500	700	800	900	1000	1100	62.9
12.5	12.43								71.6
14	13.85								77.7
16	15.9	2800	500	600	700	800	1000	1000	87.7
19	18.8								102.5
22	22.3								119.6
25	25.21	2500	500	600	700	800	-	-	135.3

4.3 Permissible radial force

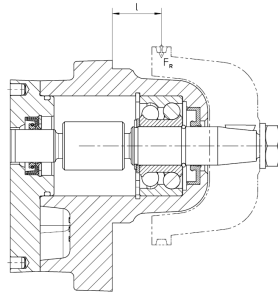
With attachment bearing , light version



Perm. radial force F_R [N] ⁽¹⁾				
Bracing distance l [mm] 21.5 Centre shaft	Speed n [rpm]			
	1000	2000	3000	4000
0	1500	1300	1100	900
10	1200	900	700	650
20	850	700	650	600
30	700	600	500	450
40	600	500	450	400
50	550	450	400	350

⁽¹⁾ related to a bearing service life LH= 10.000 h

With attachment bearing , Heavy-duty version



Perm. radial force F_R [N] ⁽¹⁾				
Bracing distance l [mm] 21.5 Centre shaft	Speed n [rpm]			
	1000	2000	3000	4000
0	2700	2200	1800	1700
10	1650	1400	1300	1200
20	1300	1050	900	750
30	1000	700	650	600
40	700	600	550	450
50	600	550	450	400
60	550	450	400	350

⁽¹⁾ related to a bearing service life LH= 10.000 h

4.4 Allowable pressures

4.4.1 Operating pressure at suction side

Speed n [rpm]	Suction side			
	$p_{e \text{ min}}$ [bar _{abs.}]	$p_{e \text{ max}}$ [bar _{rel.}]	$p_{e \text{ min}}$ [bar _{abs.}]	$p_{e \text{ max}}$ [bar _{rel.}]
	FKM		NBR	
250	0.6	30	0.6	10
500		27		9
1000		22		7
1500		18		6
2000		14		4.5
2500		12		4
3000		9		3.0
3500		7		2.7
4000		6		2.5

bar_{abs.} = Absolute pressure; **bar_{rel.}** = Relative pressure

4.4.2 Operating pressure at pressure side

Nominal V_{gn}	Pressure side		
	p_{max} [bar _{rel.}]	p_N [bar _{rel.}]	p_D [bar _{rel.}]
	(Maximum pressure)	(Nominal pressure)	(Permanent pressure)
2	300	280	250
3			
4			
5.5			
6.3			
8			
11			
12.5			
14			
16			
19	250	230	200
22	200	180	150
25			

bar_{rel.} = Relative pressure

4.5 Permissible temperature range

Sealing material	Fluid temperature ϑ_m	
	$\vartheta_{m \min}$ [°C]	$\vartheta_{m \max}$ [°C]
FKM / P5000	-20	100
NBR / P5000		90

Sealing material	Ambient temperature ϑ_u	
	$\vartheta_{u \min}$ [°C]	$\vartheta_{u \max}$ [°C]
FKM	-20	60
NBR		



NOTICE

Note media-specific properties.

4.6 Material data

Materials						
Shaft seal	O-ring	Housing	End cover / Flange cover	Gears	Bearing	Seal, Pressure fields
NBR		Aluminium (Al)	EN-GJS-400-15	Case-hardened steel (16MnCrS5 - 1.7139)	Multi layer friction bearings (contains lead)	P5000 (TPU)
FKM		EN-GJS-600				

4.7 Weight

Housing material Aluminium (Al)					
Nominal V_{gn}	Gear pump [kg]				
	Fixing type				
	A / G	K	F / M / Q ⁽¹⁾	L ⁽²⁾	F with mount- ing bracket
2	3.0	2.4	2.6	2.5	4.2
3	3.1	2.5	2.7	2.6	4.3
4	3.2	2.6	2.8	2.7	4.4
5.5					
6.3	3.3	2.7	2.9	2.8	4.5
8					
11	3.5	2.9	3.1	3.0	4.7
12.5					
14	3.6	3.0	3.2	3.1	4.8
16	3.8	3.2	3.4	3.2	5.0
19	3.9	3.3	3.5	3.4	5.1
22	4.1	3.5	3.7	6.3	5.3
25	4.3	3.7	3.9	3.8	5.5

⁽¹⁾ + 3.5 kg With attachment bearing
⁽²⁾ + 1.1 kg With attachment bearing

Housing material EN-GJS-600					
Nominal V_{gn}	Gear pump [kg]				
	Fixing type				
	A / G	K	F / M / Q ⁽¹⁾	L ⁽²⁾	F with mounting bracket
2	4.0	3.4	3.6	3.5	5.2
3	4.1	3.5	3.7	3.6	5.3
4	4.2	3.6	3.8	3.7	5.4
5.5	4.3	3.7	3.9	3.8	5.5
6.3	4.4	3.8	4.0	3.9	5.6
8	4.5	3.9	4.1	4.0	5.7
11	4.8	4.2	4.4	4.3	6.0
12.5					
14	5.0	4.4	4.6	4.5	6.2
16	5.3	4.7	4.9	4.8	6.5
19	5.5	4.9	5.1	5.0	6.7
22	5.7	5.1	5.3	5.2	6.9
25	6.1	5.5	5.7	5.6	7.3
⁽¹⁾ + 3.5 kg With attachment bearing					
⁽²⁾ + 1.1 kg With attachment bearing					

4.8 Dimensions

The dimensions of the product are given in the technical data sheets.

5 Transport and storage

5.1 General

- a) After receiving the delivery, check the product for transport damage.
- b) If transport damage is found, the manufacturer and the transport company must be notified immediately. The product must then be replaced or repaired.
- c) Dispose of packaging materials and used parts according to local regulations.

5.2 Transport



WARNING

Falling or toppling loads

Risk of injury during transport of large and heavy loads.

- a) Use only suitable means of transport and lifting gear with sufficient load-bearing capacity.
- b) Attach lifting gear only to suitable places on the load.
- c) Attach the lifting gear so that it cannot slip.
- d) Note the centre of gravity of the load.
- e) Avoid sudden, jerky movements, impacts and strong vibrations during transport.
- f) Do not step under overhead loads, do not work under overhead loads.



NOTICE

Eyebolts can be screwed into the thread of the flanged connections to transport the product.

5.3 Storage

The product's function is tested in the factory with mineral hydraulic oil. The connections are then closed. The remaining residual oil preserves the internal parts for up to 6 months.

Bright metallic external parts are also protected against corrosion by suitable preservation measures for up to 6 months.

During storage, ensure a dry, dust-free and low-vibration environment. The product must be protected from weather, moisture and large temperature fluctuations. Comply with the recommended storage conditions.

Below the permissible ambient temperature ϑ_U , elastomer seals lose their elasticity and mechanical loading capacity, as the temperature is below the glass transition temperature. This process is reversible. Avoid the application of force on the product during storage below the permissible ambient temperature ϑ_U .

Products with EPDM seals are not mineral oil resistant and their function is not tested. The internal parts are not preserved. If the product is not put into operation immediately, all surfaces exposed to corrosion must be protected by suitable preservation measures. The same applies to products that are not tested for other reasons.

In case of storage for a longer period (> 6 months), all surfaces exposed to corrosion must be retreated with suitable preservatives.

If high humidity or an aggressive atmosphere is to be expected, additional suitable corrosion prevention measures must be taken.



NOTICE

Storage in corrosion protection bags (VCI) for maximum 6 months.

⚠ ATTENTION

Corrosion/chemical attack

Improper storage can make the product unusable.

- a) Use suitable preservation measures to protect exposed surfaces.
- b) Comply with the recommended storage conditions.

5.4 Storage conditions



TIP

Recommended storage conditions

- a) Storage temperature: 5 °C – 25 °C
- b) Relative humidity: < 70 %
- c) Protect elastomer parts from light, particularly direct sunlight.
- d) Protect elastomer parts from oxygen and ozone.
- e) Note the maximum storage period of elastomer parts:
 - ⇒ 5 years: AU (polyurethane rubber)
 - ⇒ 7 years: NBR, HNBR, CR
 - ⇒ 10 years: EPM, EPDM, FEP/PFTE, FEPM, FKM, FFKM, VMQ, FVMQ

6 Installation

6.1 Safety instructions for installation



⚠ DANGER

Hazardous fluids

Danger to life when handling hazardous fluids

- a) Comply with the safety data sheets and regulations on handling the hazardous fluids.
- b) Collect and dispose of hazardous fluids so that no hazard is created for persons or the environment.



⚠ DANGER

Rotating parts

Risk to life due to entanglement or winding of parts of the body, hair or clothing items.

- a) Before carrying out any work, disconnect any drives and actuators from the power supply or depressurise them.
- b) Safely prevent restarting during the work.



⚠ DANGER

Rotating parts

Risk to life due to entanglement or winding of parts of the body, hair or clothing items.

- a) Take measures to prevent accidental touching of rotating parts.



⚠ WARNING

Rotating parts

Risk of injury caused by ejected parts

- a) Enclose rotating parts so that in the event of fracture or malfunction, there is no risk caused by ejected parts.



⚠ WARNING

Exposed gears

Gearwheels can trap and crush fingers and hands.

- a) Do not engage gearwheels.

**⚠ WARNING****Failure of pressure bearing parts due to overload**

Risk of injury from flying parts.

Risk of injury due to splashing fluids.

- a) Before carrying out any work, depressurise the product and all connection pipes.
- b) Securely prevent the pressure from being restored during work.

**⚠ WARNING****Failure of pressure bearing parts due to overload**

Risk of injury from flying parts.

Risk of injury due to splashing fluids.

- a) Use only connections and lines approved for the expected pressure range.
- b) Securely prevent the permissible pressures from being exceeded, e.g. by using pressure relief valves or bursting discs.
- c) Pipelines must be designed in such a way that no tension e.g. caused by changes in length due to fluctuations in temperature can be transferred to the product.

6.2 Noise reduction

**TIP****Measures to reduce noise**

- a) Use of suction and pressure hoses.
- b) Use of pump supports with high damping properties (plastic or grey cast iron)
- c) Use of damping rings and damping rails to isolate structure-borne sound.

6.3 Mechanical installation

6.3.1 Preparation

-
- a) Check the product for transport damage and contamination.
 - b) Check the product for smooth and easy movement.
 - c) Remove any preservative present.
 - d) Clean all lines.
 - ⇒ Only use cleaning agents that are compatible with the materials used.
 - ⇒ Do not use cleaning wool.
 - e) Compare the environmental and ambient conditions at the place of use with the permissible conditions.
 - ⇒ Make sure that the foundation is sufficiently stable and level.
 - ⇒ Expose the product only to low vibrations, see IEC 60034-14.
 - ⇒ Ensure sufficient accessibility for maintenance and repair.
 - f) Position the product and secure it against slipping.
 - ⇒ Comply with the manufacturer's instructions.
 - ⇒ Do not use any sealing materials such as hemp, Teflon tape or putty.
 - g) Remove existing protective plugs.
-

6.3.2 Gear pump with free shaft end

Suitable power transmission between the gear pump and drive is required for fault-free operation.

In a standard product, a flexible claw coupling is used for this.

-
- a) Preassemble the coupling parts as described by the manufacturer.
 - b) Position the pump and drive relative to each other.
 - ⇒ Note the allowable installed position.
 - ⇒ Note the allowable direction of rotation.
 - c) Tighten the fastening screws to the specified torque.
-



⚠ DANGER

Rotating parts

Risk to life due to entanglement or winding of parts of the body, hair or clothing items.

- a) Take measures to prevent accidental touching of rotating parts.
-



⚠ CAUTION

Hot surfaces

Burns of the skin on contact.

- a) Wear protective gloves at temperatures $\geq 48^{\circ}\text{C}$.

Tightening torques [Nm]							
Thread size	M6	M8	M10	M12	M16	M20	M24
Counter-thread Aluminium	4.6	11	22	39	95	184	315
Counter-thread Cast iron / Steel	10	25	49	85	210	425	730

Screws/Nuts with min. strength class 8.8/8



NOTICE

- a) Comply with the allowable displacement values of the coupling.
- b) Prevent stressing of the product.
- c) Make sure the fastening screws have sufficient depth of engagement.



NOTICE

- a) In case of products without a shaft seal, make sure that the leaked oil from the shaft seal space is removed in a controlled way and does not get into the environment.
- b) Make sure that foreign objects cannot get into the product.
- c) If products have a fluid seal, install a tank for holding the seal fluid.
 - ⇒ Install the tank above the product.
 - ⇒ The connection on the device must face upwards.
 - ⇒ It must be possible to check the fluid level at any time.

6.4 Connection lines

6.4.1 General



WARNING

Failure of pressure bearing parts due to overload

Risk of injury from flying parts.

Risk of injury due to splashing fluids.

- a) Use only connections and lines approved for the expected pressure range.
- b) Securely prevent the permissible pressures from being exceeded, e.g. by using pressure relief valves or bursting discs.
- c) Pipelines must be designed in such a way that no tension e.g. caused by changes in length due to fluctuations in temperature can be transferred to the product.



NOTICE

Additional connections

- a) Provide measurement connections for pressure and temperature as near as possible on the device.
- b) If necessary, provide an option for filling and draining the device and line system.
- c) If necessary, provide an option for venting the device and line system.

6.4.2 Suction line

A suction line that is not optimally designed can lead to increased noise emissions, cavitation and even a reduction in the capacity (due to less filling of the pump).

When designing the lines, bear in mind the following points:

- Lay the suction line as short and straight as possible.
- Specify the nominal size of the suction line so that the operating pressure on the suction side is not less than the permissible operating pressure $p_{e \text{ min}}$.
- Avoid large suction heights.
- Avoid additional pressure loss through line resistances such as fittings, screwed connections, formed parts or suction filters/suction baskets. Ensure that all technically required suction filters/suction baskets are appropriately dimensioned.
- Pay attention to sufficient distance of the suction opening from the floor and walls of the media tank.
- Make sure that the suction opening is below the lowest fluid level in any operating situation.
- When using hoses, make sure that they have sufficient stability so that they do not become constricted by the suction effect.
- Note the recommended flow velocity in the suction line (max. 1.5 m/s).



NOTICE

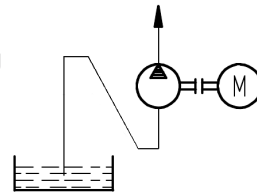
Cavitation damage

Pressure below the permissible suction side pressure causes cavitation

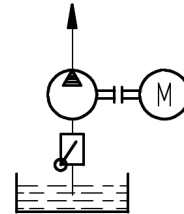
- a) Design the suction line so that the pressure that sets in during operation is always higher on the suction side than the vapour pressure of the pumped medium. At the same time, make sure that the device is installed above sea level.
- b) If fluids contain water, install the device below the fluid level and limit the operating temperature to 50 °C and the speed to 1500 1/min.

Prevention of suction problems

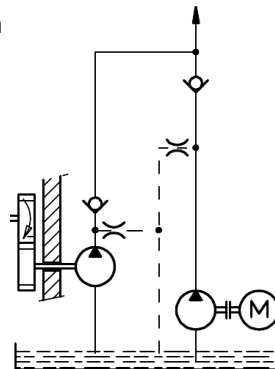
If there is a possibility of the suction line running dry while the pump is at a standstill, laying the suction line as a U-trap is a way of avoiding suction problems. This way, the pump will remain permanently filled after initial commissioning.



In case of longer suction lines that can run empty during the standstill, it is useful to insert a foot valve or a non-return valve. These must have been designed for use in suction lines and should offer as low a flow resistance as possible.



When operating a pump that has to pump via a non-return valve into a pressurized circuit (e.g. reserve pump in a lubricant circuit), intake difficulties can occur if the suction line is filled with air. In this case the pressure line must be vented directly upstream of the non-return valve. If a venting nozzle is not inserted, the volume of the pressure line between the pump and non-return valve must be at least 75% of the suction line volume.



6.4.3 Pressure pipe

When designing the lines, bear in mind the following points:

- Choose the nominal size of the pressure line so that the maximum permissible pressures are not exceeded.
- If necessary, provide a venting nozzle to prevent suction problems.

6.4.4 Connection line installation

- a) Clean all lines.
 - ⇒ Do not use cleaning wool.
 - ⇒ Pickle and rinse welded pipes.
 - b) Remove existing protective plugs.
 - c) Install the lines.
 - ⇒ Comply with the manufacturer's instructions.
 - ⇒ Do not use any sealing materials such as hemp, Teflon tape or putty.
-



TIP

Location of the device connections: Direction of rotation and discharge

6.5 Change of the direction of rotation

A change in the direction of rotation is not possible.

7 Commissioning

7.1 Safety instructions for start-up



⚠ DANGER

Hazardous fluids

Danger to life when handling hazardous fluids

- a) Comply with the safety data sheets and regulations on handling the hazardous fluids.
- b) Collect and dispose of hazardous fluids so that no hazard is created for persons or the environment.



⚠ WARNING

Failure of pressure bearing parts due to overload

Risk of injury caused by flying parts.

Risk of injury caused by splashing fluids.

- a) Do not operate the product with shut-off devices closed.
- b) Do not operate the production in the wrong rotational direction.



⚠ CAUTION

Hot surfaces

Burns of the skin on contact.

- a) Wear protective gloves at temperatures $\geq 48^{\circ}\text{C}$.

7.2 Preparation

- a) Before starting the system make sure that a sufficient quantity of the service fluid is extant to avoid dry running. This must be taken into account especially with large line volumes.
- b) Check all fastening screws on the product.
- c) Fill the pump and the suction line with medium.

7.3 Additional commissioning

- a) Open existing shut-off elements in front of and behind the product.
 - b) Set pressure relief valves installed in the system to the lowest opening pressure.
 - c) Start the product without pressure load or with low pressure (jog mode).
 - ⇒ A flow should have developed after 30 s at the latest.
 - d) Run the product pressureless or at low pressure for a few minutes.
 - e) Vent the system at the highest possible point.
 - f) Gradually increase the pressure up to the required operating pressure.
 - g) Operate the system until the final operating condition is reached.
 - h) Check the operating data.
 - ⇒ **Maintenance table [▶ 39]**
 - i) Document the operating data of the initial commissioning for later comparison.
 - j) Check the level of the operating medium in the system.
 - k) Check the level of the seal fluid (if present).
 - l) Check the product for leaks.
 - m) Check all fittings for leaks and retighten if necessary.
-



TIP

In order to ensure a constant and reliable function of the product, an initial maintenance of the product is recommended after several hours warm-up time (max. 24 h). This allows faults to be detected at an early stage.

8 Removal

8.1 Safety instructions for disassembly



⚠ DANGER

Hazardous fluids

Danger to life when handling hazardous fluids

- a) Comply with the safety data sheets and regulations on handling the hazardous fluids.
- b) Collect and dispose of hazardous fluids so that no hazard is created for persons or the environment.



⚠ DANGER

Rotating parts

Risk to life due to entanglement or winding of parts of the body, hair or clothing items.

- a) Before carrying out any work, disconnect any drives and actuators from the power supply or depressurise them.
- b) Safely prevent restarting during the work.



⚠ WARNING

Exposed gears

Gearwheels can trap and crush fingers and hands.

- a) Do not engage gearwheels.



⚠ WARNING

Failure of pressure bearing parts due to overload

Risk of injury from flying parts.

Risk of injury due to splashing fluids.

- a) Before carrying out any work, depressurise the product and all connection pipes.
- b) Securely prevent the pressure from being restored during work.



⚠ CAUTION

Hot surfaces

Burns of the skin on contact.

- a) At temperatures ≥ 48 °C allow the product to cool first.

 **ATTENTION****Blocking of the product due to curing media**

Curing media can mechanically block the product and make it unusable.

- a) Clean the product immediately after operation with curing media.

8.2 Dismantling

- a) Depressurise and de-energise the system.
- b) Close existing shut-off elements in front of and behind the product.
- c) Open existing drain elements and undo connection lines. Collect and dispose of leaking media so that no hazard is created for persons or the environment.
- d) Dismantle the product.
- e) Clean the product.
- f) Seal the process connections and lines to prevent the ingress of dirt.

**NOTICE**

The concrete procedure for cleaning depends on the media being used.

- a) See the safety data sheet of the media in use.

9 Maintenance

9.1 Safety instructions for maintenance



⚠ DANGER

Hazardous fluids

Danger to life when handling hazardous fluids

- a) Comply with the safety data sheets and regulations on handling the hazardous fluids.
- b) Collect and dispose of hazardous fluids so that no hazard is created for persons or the environment.



⚠ DANGER

Rotating parts

Risk to life due to entanglement or winding of parts of the body, hair or clothing items.

- a) Before carrying out any work, disconnect any drives and actuators from the power supply or depressurise them.
- b) Safely prevent restarting during the work.



⚠ WARNING

Failure of pressure bearing parts due to overload

Risk of injury from flying parts.

Risk of injury due to splashing fluids.

- a) Before carrying out any work, depressurise the product and all connection pipes.
- b) Securely prevent the pressure from being restored during work.



⚠ CAUTION

Hot surfaces

Burns of the skin on contact.

- a) At temperatures ≥ 48 °C allow the product to cool first.

9.2 Maintenance work



TIP

Checking and documentation of the operating data

Regular checking and documentation of all operating data helps to detect faults at an early stage.

- Perform the maintenance work according to specifications.
- Replace defective or worn components.
- If necessary, request spare parts lists and assembly drawings from the manufacturer.
- Document the type and scope of the maintenance work along with the operating data.
- Compare the operating data with the values of the initial commissioning.
In case of large deviations (> 10 %) determine the cause.
- Dispose of packaging materials and used parts according to local regulations.



NOTICE

Protective devices and notes

After maintenance and/or repair, reattach all protective devices and notices removed in the process to their original position.

9.3 Maintenance instructions

The following information provides recommendations for maintenance work and maintenance intervals for the product in use.

Depending on the actual loads occurring during operation, the type, scope and interval of the maintenance work may deviate from the recommendations. A mandatory maintenance plan must be drawn up by the installer/operating company.



TIP

In the course of preventive maintenance, it is advisable to replace wearing parts before the wear limit is reached.

With the appropriate know-how and sufficient equipment, the repair can also be carried out by the installer/operating company.

If necessary, request spare parts lists and assembly drawings from the manufacturer. Please consult the manufacturer for this purpose.



NOTICE

Warranty

Any warranty will be void if not executed properly.

9.4 Maintenance table

9.4.1 Maintenance table

		First time after max. 24h	Daily	3000 operating hours	6000 operating hours	If necessary	Additional information
9.4.2	Check the operating pressure	2					
9.4.3	Check the media temperature	2					
9.4.4	Check the device temperature	2					
9.4.5	Check the function of the add-on valve	2					
9.4.6	Check the equipotential bonding	2					
9.4.7	Check the condition of the operating fluid	2					
9.4.8	Noise test unusual noises		1				
9.4.9	Cleaning		1				
9.4.10	Visual inspection of leakage		1				
9.4.2	Check the operating pressure			2			
9.4.3	Check the media temperature			2			
9.4.4	Check the device temperature			2			
9.4.5	Check the function of the add-on valve			2			
9.4.6	Check the equipotential bonding			2			
9.4.7	Check the condition of the operating fluid			2			
9.4.11	Visual check of the gearbox condition				3		
9.4.12	Visual check of the condition of housing parts				3		
9.4.13	Visual check of the condition of the plain bearings				3		
9.4.14	Visual check of the condition shaft seal				3		
9.4.15	Visual check of the condition of the outboard bearing				3		
9.4.16	Replacing the outboard bearing					3	
9.4.17	Replacing the plain bearings					3	
9.4.18	Replacing the shaft seal					3	
9.4.19	Replacing other seals					3	

1 - 0,1 h; 2 - 0,2 h; 3 - 0,75 h

9.4.2 Check the operating pressure

The operating pressure is indicated by the pressure gauges.

- If there is no operating pressure, check the individual components of the product.
- Comply with the product-specific data sheets/operating instructions.

9.4.3 Check the media temperature

The media temperature is measured through the temperature sensor.

The values are displayed by the built-in controller in the electrical control system.

- If the media temperature is too high or too low, check the product components.
- Comply with the product-specific data sheets/operating instructions.

9.4.4 Check the device temperature

Measure the surface temperature in the area of the bearing.

9.4.5 Check the function of the add-on valve

Add-on valves must be operated at regular intervals. This is necessary to ensure their faultless function.

9.4.6 Check the equipotential bonding

Check the equipotential bonding for tight fit and proper functioning.

9.4.7 Check the condition of the operating fluid

Pay attention to colour (dark colouring), odour and milky turbidity.

- Replace operating fluid if necessary.

9.4.8 Noise test unusual noises

In this case, attention must be paid to increased noise or uneven operation (pump unit).

- In case of unusual noises, examine the individual components of the product and line fixings and check the operating medium for foaming.
- Comply with the product-specific data sheets/operating instructions.

9.4.9 Cleaning

Remove dust deposits and dirt with a damp, clean cloth.

9.4.10 Visual inspection of leakage

Care must be taken here to ensure that there is no leakage from the connections.

- In the event of leaks in the connections, the glands must be tightened and, if necessary, the seals replaced.

9.4.11 Visual check of the gearbox condition

The driving shaft pinion and driven shaft pinion are wearing parts. In case of excessive wear, the parts or the pump must be replaced.

Important places to check are the surfaces opposite the shaft seal and bearing bushes, end faces of the driving shaft pinion and driven shaft pinion as well as the tooth flanks.

9.4.12 Visual check of the condition of housing parts

Important places to check are the end faces of the impeller chamber.

9.4.13 Visual check of the condition of the plain bearings

The plain bearings are wearing parts. In case of excessive wear, the parts or the pump must be replaced.

In case of multilayer plain bearings, the wear limit is reached if the bronze layer of the bearing is 50-70 % exposed.

When loaded on the suction side, the driving shaft pinion and driven shaft pinion are supported in the bearings so that wear is identified there first.

9.4.14 Visual check of the condition shaft seal

Pay attention to leak quantities and impermissible temperature increases.

- Small leaked quantities are indispensable for the function of the seal.
- In case of excessive leaked quantities or impermissible temperature increase, the pump must be shut down immediately. Replace the seal.

9.4.15 Visual check of the condition of the outboard bearing

The outboard bearing is a wearing part.

The life of the bearing primarily depends on the operating conditions.

The bearing should therefore be checked for damage after 4000 h at the latest. In the event of unacceptable wear, the bearing must be replaced.

Onsetting wear or pending failure can become noticeable due to increased heating of the bearing, increased power consumption, irregular running or even noise emissions.

9.4.16 Replacing the outboard bearing

With the appropriate know-how and adequate equipment, the repair can also be carried out by the installer/operating company.

To this end, if necessary, request spare parts and assembly drawings from the manufacturer.

Only use spare parts approved by the manufacturer.

9.4.17 Replacing the plain bearings

These are replaced only by the manufacturer.

Contact the manufacturer.

9.4.18 Replacing the shaft seal

With the appropriate know-how and adequate equipment, the repair can also be carried out by the installer/operating company.

To this end, if necessary, request spare parts and assembly drawings from the manufacturer.

Only use spare parts approved by the manufacturer.

9.4.19 Replacing other seals

With the appropriate know-how and adequate equipment, the repair can also be carried out by the installer/operating company.

To this end, if necessary, request spare parts and assembly drawings from the manufacturer.

Only use spare parts approved by the manufacturer.

10 Repair

10.1 Safety instructions for repairs



⚠ DANGER

Hazardous fluids

Danger to life when handling hazardous fluids

- a) Comply with the safety data sheets and regulations on handling the hazardous fluids.
- b) Collect and dispose of hazardous fluids so that no hazard is created for persons or the environment.



⚠ DANGER

Rotating parts

Risk to life due to entanglement or winding of parts of the body, hair or clothing items.

- a) Before carrying out any work, disconnect any drives and actuators from the power supply or depressurise them.
- b) Safely prevent restarting during the work.



⚠ WARNING

Failure of pressure bearing parts due to overload

Risk of injury from flying parts.

Risk of injury due to splashing fluids.

- a) Before carrying out any work, depressurise the product and all connection pipes.
- b) Securely prevent the pressure from being restored during work.



⚠ CAUTION

Hot surfaces

Burns of the skin on contact.

- a) At temperatures ≥ 48 °C allow the product to cool first.

10.2 General

Corrective maintenance includes:

1. Troubleshooting
Finding damage, determining and localising the cause of the damage.
2. Damage repair
Removing the primary causes and replacing or repairing defective components. Repairs are generally carried out by the manufacturer.

Repair by the manufacturer

Before returning the product, fill out the return form. The form can be filled out online and is available to download as a pdf file or can be requested from the manufacturer.



NOTICE

Device contains hazardous substances

If the device has been operated with hazardous fluids it must be cleaned before it is returned. If this is not possible, the safety data sheet of the hazardous material must be provided in advance.

Repair by the installer/operating company

With the appropriate know-how and sufficient equipment, the repair can also be carried out by the installer/operating company. Please consult the manufacturer for this purpose.

- a) If necessary, request spare parts lists and assembly drawings from the manufacturer.
- b) Only use spare parts approved by the manufacturer.
- c) Dispose of packaging materials and used parts according to local regulations.



NOTICE

Warranty

Any warranty will be void if not executed properly.



NOTICE

Protective devices and notes

After maintenance and/or repair, reattach all protective devices and notices removed in the process to their original position.

10.3 Fault table

Fault	Potential causes	Possible measures
Increased noise		
Pump cavitation	Excessive negative pressure (not complete filling of the pump)	Check suction line design Use noise-optimised pump
	Suction line clogged	Clean the suction line
	Suction filter plugged or too small	Clean suction filter or use a larger filter
		Replace filter element
	Suction basket plugged or too small	Clean intake strainer or dimension larger
	Fluid temperature too low	Adjust the temperature of medium
Foaming or air in media	Pump does not suck	Check the oil level in the tank
		Check suction line
		Check the shaft seal
	Shaft seal defective	Replace seals
	Suction connection leaking	Tighten or replace the screw connections
		Replace seals
	System not vented	Vent the system
Return line ends above the fluid level	Extend return line	
Heavy foaming in the system, e.g. in gears	Use noise-optimised pump	
Mechanical vibrations	Incorrectly aligned and/or loose coupling	Correct the alignment of the coupling and secure the coupling halves
	Incorrectly and/or insufficient line fastening	Fixate lines with suitable fastening material (e.g. pipe clamps)
	Wobbling pressure relief valve	Increase valve opening pressure
	Not a noise-reducing setup	Use dampers
Pump does not suck		
	Dry run	Fill pump and the suction line with medium
	Minimum filling level in the reservoir tank undercut	Refill media
	Wrong direction of rotation	Correct the direction of rotation
	Throttled/closed shut-off element in the suction line	Open the shut-off element
	Suction line clogged	Clean the suction line

Pump does not suck		
	The air in the suction line cannot be compressed in the pressure line	Reduce the start-up pressure
		Vent the pressure line
		Increase volume of the pressure line
	Speed of the pump is too low	Check the pump design
		During frequency inverter operation: Check the operation/line frequency
	Geodetic suction head too high	Check installation location
Provide pre-filling pump		
Insufficient pressure		
Insufficient pumping flow rate		
	Excessive negative pressure (not complete filling of the pump)	Check suction line design
	Too high media viscosity	Provide pre-filling pump
	Speed of the pump is too low	Check the pump design
		During frequency inverter operation: Check the operation/line frequency
	Throttled/closed shut-off element in the suction line	Open the shut-off element
	Suction line clogged	Clean the suction line
	Suction filter plugged or too small	Clean suction filter or use a larger filter
		Replace filter element
	Suction basket plugged or too small	Clean intake strainer or dimension larger
	Constant triggering of pressure relief valve (if existing)	Increase valve opening pressure
	Pump does not suck	Check the oil level in the tank
		Check suction line
Check the shaft seal		
Wear	Replace the device	
Excessive operating temperature		
	Cooling and heat dissipation insufficient	Increase the cooling capacity
	Not sufficient oil in the system	Check the container layout
	Excess fluid is being delivered into the supply tank via pressure relief valve under load	Check the pump design

Impermissible pump heating		
	Constant triggering of pressure relief valve (if existing)	Increase valve opening pressure
	Pressure too high in association with a media viscosity that is too low	Check the system design
	Speed too fast in connection with media viscosity that is too high	Check the system design
	Gland lid overtightened (for gland seal)	Unscrew gland lid and readjust leakage
	Suction pressure too high	Reduce the pressure
	Wear	Replace the device
Leakage		
Seal failure	Lack of maintenance	Comply with maintenance intervals
		Replace seals
	Mechanical damage	Replace seals
	Thermal overload	Check operating data
		Replace seals
	Pressure too high	Check operating data
		Replace seals
	Gas content in media too high	Check operating data
		Replace seals
	Corrosion/chemical degradation	Check material compatibility
Replace seals		
Wrong direction of rotation	Correct the direction of rotation	
	Replace seals	
Contaminated medium	Provide filtration	
	Replace seals	
Gland lid not sufficiently tightened (for gland seal)	Retighten gland lid	
Loose screw connection	Tighten or replace the screw connections	
Coupling		
Coupling wear	Alignment error	Correct the alignment of the coupling and secure the coupling halves
	Spider overloaded	Check operating data
		Use harder spider
Cam break	Spider wear Torque transmission due to metal contact	Adapt maintenance intervals
		Replace coupling

Premature spider wear	Alignment error	Correct the alignment of the coupling and secure the coupling halves
		Replace spider
	Spider failure due to chemical corrosion	Check material compatibility
		Replace spider
Motor protection switch tripped		
	Driving power too low	Check the drive design
	Motor incorrectly connected	Check motor connection
	Phase failure	Check feed/supply
	Current consumption too high	Check operating data
		Check direction of rotation
Motor circuit breaker incorrectly designed	Check operating data	
Consult the manufacturer in the event of unidentifiable faults		